

# WORLDWIDE SHOWPIECE IN IDENTIFICATION TECHNOLOGY

DIRECT PRINT MODULES



**QUALITY. TRADITION. INNOVATION.**

## » INNOVATIVE LABELLING TECHNOLOGY

For a world spinning round faster and faster.  
For commodity flows becoming more and more complex.



As a company which has been built steadily on firm foundations, we have gained an unassailable market presence all over the world: with unsurpassed product variety and a constantly rising success curve – for more than 90 years.

We develop, manufacture and market multifunctional label printing and labelling systems as stand-alone modules, built-in modules, direct printing units offering special solutions in bar code and plain text printing in all conceivable designs by the thermal direct or thermal transfer process – carefully supplemented by convenient design software, a mass of practical accessories and matching consumables.

Clients from nearly all branches of industry appreciate us as competent partners, capable of thinking holistically towards total solutions right through all phases of a project – from planning through manufacture, right up to servicing and customer service. Customer proximity, knowledge and innovative strength have been a tradition with us for generations, and day in, day out they create the foundation for the development and production of our high-performance machines.

» Quality Policy:  
Integrated element of our company strategy.

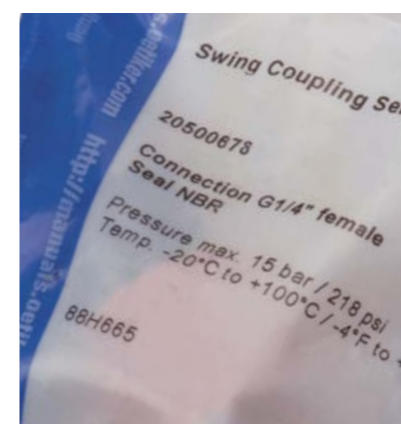
Our printing systems thus guarantee optimized value-creation processes right along the entire supply chain. And that is no accident – the uncompromising high quality of all our systems has been our highest priority since time immemorial. Right up to point at which a product leaves our premises, our quality management system, based on DIN EN ISO 9001:2008, monitors all working processes in accordance with strict test guidelines

» Maintenance, Service and Support:  
Easy to get hold of and obtainable in a flash.

Night and day our systems are working at high-performance level. Regular servicing tasks and preventive measures rule out the possibility of loss of production and guarantee long life for your machines.

The factors that have become our machines' trademark also apply to the quality of our customer service. What you can confidently expect from us is speed, total commitment and high quality.

In case of any software update you might wish or for preparing a service contract tailored to your needs, our helpful team is always ready to lend its support.



## » DYNACODE SERIES

- Direct marking of foil packages
- Intermittent and continuous mode selectable
- Printing real-time data and automatic update of best before date
- Print width up to 128 mm
- Best print resolution in 300 dpi
- Up to 900 m transfer ribbon for long production running times
- Ribbon remainder indication for fast ribbon change
- Mechanisms for optimal transfer ribbon utilization
- All common interfaces for fast data exchange
- High ribbon saving of 1 mm between the prints
- Minimum of wear parts



Thermal transfer direct printing systems are the non plus ultra for applications in the food industry, confectionery industry, pharmaceuticals industry or the hardware industry, to cite several examples. The most frequent application area is the marking of flexible foil packaging or boxes. The Dynacode convinces not only through the easy to change ribbon cassette but also due to the separate control unit and through integration in virtually all horizontal and vertical packaging systems. With a print resolution of 300 dpi, printing of graphics and company logos is no problem, and with a print speed up to 800 mm/s virtually all customer desires can be satisfied.

### » High-quality marking at low operating costs

Through the use of transfer ribbons with a length up to 900 m, for Dynacode less frequent ribbon replacement is enabled. Thanks to the high capacity of the ribbon operating costs are directly reduced. For optimal transfer ribbon utilization, in addition to standard ribbon save, shift ribbon save and save start ribbon save are also available. By the use of the ribbon save function the gap between the individual layouts can be reduced to 1 mm via the length of roll. Overprints are prevented and a consistently high print quality is guaranteed. This foil saving automation reduces standstill times and enables an even higher capacity utilization of the transfer ribbons.

### » Excellent flexibility

The Dynacode series provides best flexibility which permits switching between intermittent and continuous mode in a simple way. Printing continuously the printhead stands still while the packaging foil is guided through; printing is possible as well during operation of packaging machine. Printing intermittent the printhead moves in a programmable moving pattern over the foil in order to move back to starting position. The print is effected during the standstill of machine for some instants, frequently while a packing is filled.

### » Print speed and cycle time

Thanks to the extremely light and precise printhead guiding, the Dynacode achieves an extremely high cycle time with the intermittent version as well as with the continuous version. Thanks to a floating printhead support slight parallelism differences of counter-pressure plate / counter-pressure roller can be adjusted. Variable data, lot numbers, date, time in real time, is printed through an in-house developed special software program that enables extremely fast data preparation.



### » Control unit

With the control unit the configuration of the printing system can be changed in simplest way. Layouts saved on a Compact Flash card can be retrieved and printed by using the foil keyboard as well as an external alphanumeric keyboard.



### » Mounting frames for continuous mode

Mounting frames with different dimensions for the simple integration of the system into almost all production lines, depending on installation position for intermittent as well as for continuous mode are available.



### » Left and right hand versions

The offered right and left hand versions permit almost unlimited horizontal or vertical installation possibilities.



### » Interfaces

The Dynacode series is equipped with standard serial, parallel, USB and LAN connection.



# » TECHNICAL DATA

## » DYNACODE SERIES

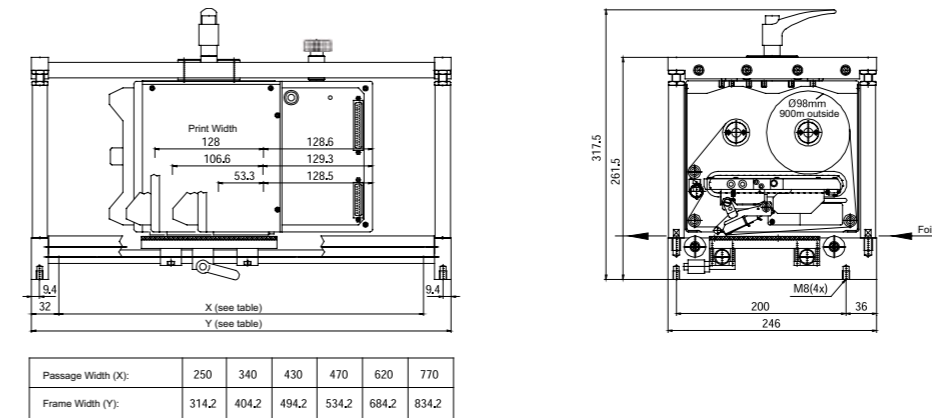
	DYNACODE 53	DYNACODE 107	DYNACODE 128
<b>PRINT</b>			
Max. Print Width	53.3 mm	106.6 mm	128 mm
Max. Print Length	6,000 mm	3,000 mm	3,000 mm
Continuous Mode	75 mm	75 mm	75 mm
Intermittent Mode			
Frame Passage Width	customized	customized	customized
Resolution	300 dpi	300 dpi	300 dpi
Print Speed			
Continuous Mode	50 – 800 mm/s	50 – 600 mm/s	50 – 450 mm/s
Intermittent Mode	50 – 600 mm/s	50 – 600 mm/s	50 – 600 mm/s
Max. Back Speed	600 mm/s (intermittent mode only)	600 mm/s (intermittent mode only)	600 mm/s (intermittent mode only)
Printhead	Corner Type	Corner Type	Corner Type
<b>DIMENSIONS (WIDTH x HEIGHT x DEPTH)</b>			
Print Mechanics			
Without Mounting Frame	204 mm x 180 mm x 234 mm	204 mm x 180 mm x 290 mm	204 mm x 180 mm x 312 mm
With Mounting Frame	depending on passage width	depending on passage width	depending on passage width
Control Unit	240 mm x 125 mm x 332 mm	240 mm x 125 mm x 332 mm	240 mm x 125 mm x 332 mm
Connecting Cable to Mechanics	2.5 m	2.5 m	2.5 m
<b>WEIGHT</b>			
Print Mechanics	9.5 kg	11 kg	11.7 kg
Electronics with Cable	5.5 kg	5.5 kg	5.5 kg
<b>FONTS</b>			
Font Types	6 Bitmap fonts, 6 Vector fonts/TrueType fonts, 6 proportional fonts other fonts on demand	6 Bitmap fonts, 6 Vector fonts/TrueType fonts, 6 proportional fonts other fonts on demand	6 Bitmap fonts, 6 Vector fonts/TrueType fonts, 6 proportional fonts other fonts on demand
<b>BAR CODES</b>			
1D Bar Codes	CODABAR, Code 128A, Code 128B, Code 2/5 interleaved, Code 39, Code 39 extended, Code 93, EAN 13, EAN 8, EAN ADD ON, GS1-128, Identcode (German Post Code), ITF 14, Leitcode (German Post Code), Pharmaco, PZN Code, UPC-A, UPC-E	CODABAR, Code 128A, Code 128B, Code 2/5 interleaved, Code 39, Code 39 extended, Code 93, EAN 13, EAN 8, EAN ADD ON, GS1-128, Identcode (German Post Code), ITF 14, Leitcode (German Post Code), Pharmaco, PZN Code, UPC-A, UPC-E	CODABAR, Code 128A, Code 128B, Code 2/5 interleaved, Code 39, Code 39 extended, Code 93, EAN 13, EAN 8, EAN ADD ON, GS1-128, Identcode (German Post Code), ITF 14, Leitcode (German Post Code), Pharmaco, PZN Code, UPC-A, UPC-E
2D Bar Codes	CODABLOCK F, DataMatrix, GS1 DataMatrix, MAXICODE, PDF417, QR Code	CODABLOCK F, DataMatrix, GS1 DataMatrix, MAXICODE, PDF417, QR Code	CODABLOCK F, DataMatrix, GS1 DataMatrix, MAXICODE, PDF417, QR Code
Composite Bar Codes	GS1 DataBar Expanded, GS1 DataBar Limited, GS1 DataBar Omnidirectional, GS1 DataBar Stacked, GS1 DataBar Stacked Omnidirectional, GS1 DataBar Truncated	GS1 DataBar Expanded, GS1 DataBar Limited, GS1 DataBar Omnidirectional, GS1 DataBar Stacked, GS1 DataBar Stacked Omnidirectional, GS1 DataBar Truncated	GS1 DataBar Expanded, GS1 DataBar Limited, GS1 DataBar Omnidirectional, GS1 DataBar Stacked, GS1 DataBar Stacked Omnidirectional, GS1 DataBar Truncated
<b>ACOUSTIC EMISSION</b>			
Average Sound Power Level	60 dB(A)	65 dB(A)	68 dB(A)
<b>ELECTRONICS</b>			
Processor	High Speed 32 Bit	High Speed 32 Bit	High Speed 32 Bit
RAM	16 MB / 64 MB (on demand)	16 MB / 64 MB (on demand)	16 MB / 64 MB (on demand)
Slot	for Compact Flash card type I	for Compact Flash card type I	for Compact Flash card type I
Battery Cache	for real-time clock (storage of data with shut-down)	for real-time clock (storage of data with shut-down)	for real-time clock (storage of data with shut-down)
Warning Signal	acoustic signal when error	acoustic signal when error	acoustic signal when error
<b>INTERFACES</b>			
Serial	RS-232C (max. 115,200 baud)	RS-232C (max. 115,200 baud)	RS-232C (max. 115,200 baud)
Parallel	Centronics	Centronics	Centronics
USB	1.0	1.0	1.0
Ethernet/LAN	10/100 Base-T	10/100 Base-T	10/100 Base-T
<b>TRANSFER RIBBON</b>			
Coating	outside / inside*	outside / inside*	outside / inside*
Max. Roll Diameter	98 mm	82 mm	75 mm
Core Diameter	25.4 mm / 1"	25.4 mm / 1"	25.4 mm / 1"
Max. Length	900 m (Ø 98 mm)	600 m (Ø 82 mm)	450 m (Ø 75 mm)
<b>CONNECTION VALUES</b>			
Pneumatic Connection	min. 6 bar dry and free from oil	min. 6 bar dry and free from oil	min. 6 bar dry and free from oil
Nominal Voltage	110 V – 230 V / 50 – 60 Hz	110 V – 230 V / 50 – 60 Hz	110 V – 230 V / 50 – 60 Hz
Nominal Current	230 V / 1.5 A – 110 V / 3 A	230 V / 1.5 A – 110 V / 3 A	230 V / 1.5 A – 110 V / 3 A
Fuse Values	230 V / 2 AT – 110 V / 4 AT	230 V / 2 AT – 110 V / 4 AT	230 V / 2 AT – 110 V / 4 AT
<b>OPERATING CONDITIONS</b>			
Temperature	5 – 40 °C	5 – 40 °C	5 – 40 °C
Max. Relative Humidity	80 % (non condensing)	80 % (non condensing)	80 % (non condensing)

Technical data subject to change

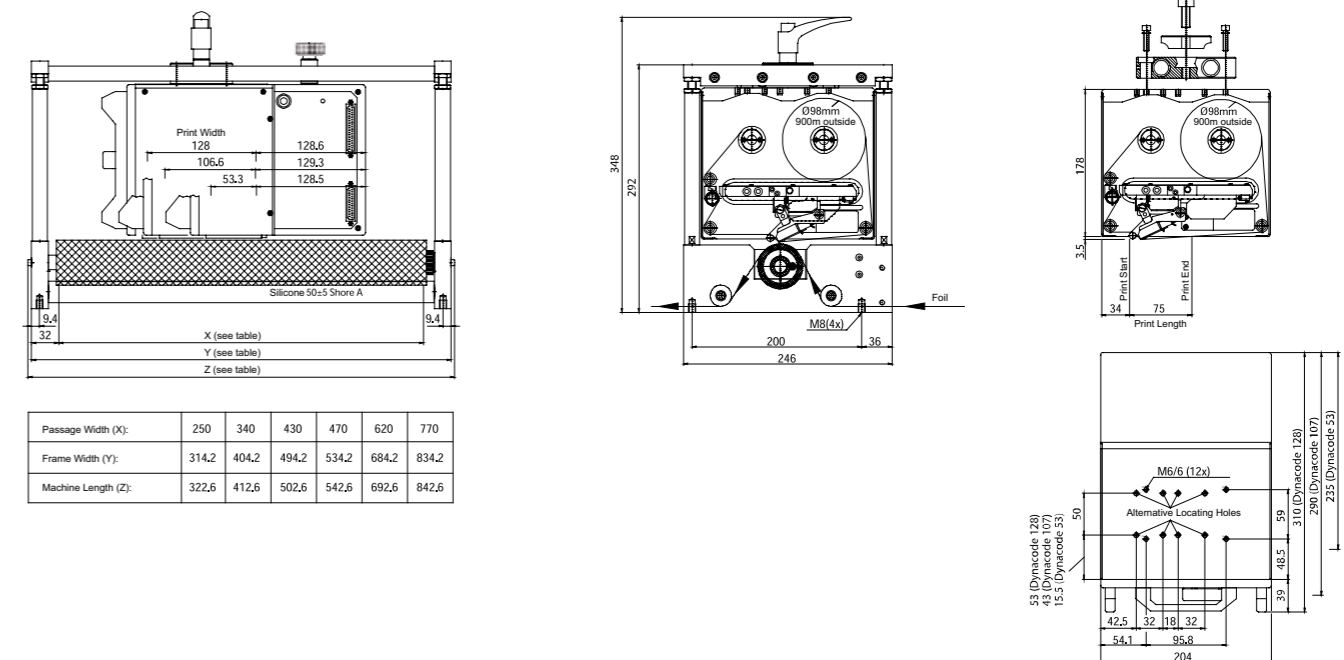
\* optional

# » PRINT MECHANICS VERSIONS

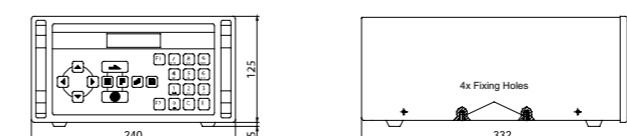
## » Dynacode print mechanics right hand version, intermittent mode



## » Dynacode print mechanics right hand version, continuous mode



## » Dynacode control unit



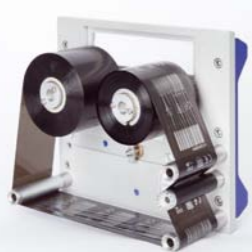
## » DYNACODE IP SERIES

- Splash-proof electronics and print mechanics
- Separate transfer ribbon cassette and cleaning cassette
- Maximum protection in harsh production conditions
- Electronic control unit is wall-mountable
- Connection for 24V industrial encoder
- Cable outlet at rear and on side
- Audible signal issued in case of fault
- Large graphical display (of benefit for displaying international character sets and special symbols) with 132 x 64 pixel resolution and white backlighting
- 2 x USB host for connecting a USB keyboard and a thumb drive



The splash-proof version of the Dynacode offers additional protection in harsh production environments. The optionally available version additionally dispenses with bulky and bothersome covers to protect the device, as neither print module nor control unit must be dismantled or covered during the cleaning process. This means that production downtimes are even further reduced.

The cleaning cassette necessary for this can simply replace the ribbon cassette within seconds. The splash-proof Dynacode version is ideally suited for marking hygienic products and for printing in production environments where wet cleaning is required, such as in dairies or coffee roasting plants.



### » Transfer ribbon cassette

Thanks to its sophisticated design, the transfer ribbon cassette can be replaced in only a few seconds. Both externally-wound and internally-wound transfer ribbons can be used in the transfer ribbon cassette.



### » Cleaning cassette

The specially developed cleaning cassette offers maximum protection in harsh production conditions. Using the cleaning cassette avoids the time-consuming and labour-intensive covering of machines in production environments which require wet cleaning.

### » Water and dust protection equipment

After all the necessary connections have been established to the control unit and all unused connectors have been covered using the appropriate accessory, the control unit is protected against water and dust at all times, in accordance with protection class IP65.

Owing to conditions during the operation of direct printing units of this type, the printing mechanism cannot be fully protected against the ingress of water while printing is in progress.

However, using the special cleaning cassette, it is possible to protect the printing mechanism during downtimes against the ingress of water and dust in accordance with protection class IP65.



### » External inputs and outputs

The machines of the Dynacode IP series are equipped with six outputs for machine communication, which are electrically isolated by an optocoupler. Alternatively an output can be switched via an internal relay (230V/1A). The Dynacode IP is also provided with a clock input (print start) for connection of a product sensor (5-24V).



### » Installation positions

The Dynacode IP is a direct print unit which was designed to be integrated into existing labelling and packaging systems. The Dynacode IP prints flawlessly in any installation position and was specially developed for continuous printing.



### » Interfaces

The Dynacode IP comes as standard with a serial, USB and Ethernet interface. In addition, the Dynacode IP has a USB host, to enable the connection of an external USB keyboard and/or a USB thumb drive. The Dynacode IP automatically detects which interface the control signals are coming from.

# » TECHNICAL DATA

## » DYNACODE IP SERIES

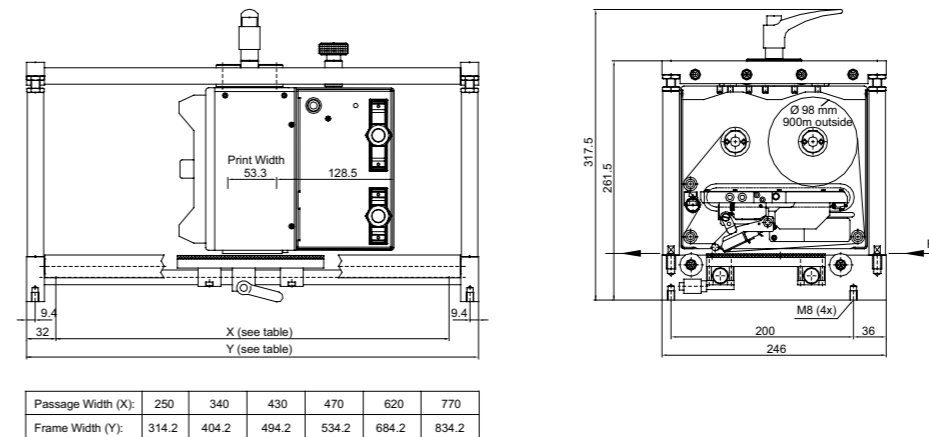
DYNACODE IP 53	
<b>PRINT</b>	
Max. Print Width	53.3 mm
Max. Print Length	6000 mm
Continuous Mode	75 mm
Intermittent Mode	
Frame Passage Width	customized
Resolution	300 dpi
Print Speed	
Continuous Mode	50 – 800 mm/s
Intermittent Mode	50 – 600 mm/s
Max. Back Speed	600 mm/s (intermittent mode only)
Printhead	Corner Type
<b>DIMENSIONS</b>	
Print Mechanics	
Without Mounting Frame	204 mm x 182 mm x 235 mm
With Mounting Frame	depending on passage width
Control Unit	310 mm x 165 mm x 350 mm
Connecting Cable to Mechanics	2.5 m
<b>WEIGHT</b>	
Print Mechanics	9.5 kg
Electronics with Cable	8 kg
<b>FONTS</b>	
Font Types	6 Bitmap fonts, 6 Vector fonts/TrueType fonts, 6 proportional fonts other fonts on demand
<b>BAR CODES</b>	
1D Bar Codes	CODABAR, Code 128A, Code 128B, Code 2/5 interleaved, Code 39, Code 39 extended, Code 93, EAN 13, EAN 8, EAN ADD ON, GS1-128, Identcode (German Post Code), ITF 14, Leitcode (German Post Code), Pharmacode, PZN Code, UPC-A, UPC-E
2D Bar Codes	CODABLOCK F, DataMatrix, GS1 DataMatrix, MAXICODE, PDF417, QR Code
Composite Bar Codes	GS1 DataBar Expanded, GS1 DataBar Limited, GS1 DataBar, Omnidirectional, GS1 DataBar Stacked, GS1 DataBar Stacked, Omnidirectional, GS1 DataBar Truncated
<b>ACOUSTIC EMISSION</b>	
Average Sound Power Level	60 dB(A)
<b>ELECTRONICS</b>	
Processor	High Speed 32 Bit
RAM	16 MB / 64 MB (on demand)
Slot	for Compact Flash card type I (inside the control unit)
Max. Storage	16 MB
Battery Cache	for real-time clock (storage of data with shut-down)
Warning Signal	acoustic signal when error
<b>INTERFACES</b>	
Serial	RS-232C (max. 115,200 baud)
Ethernet	10/100 Base T, LPD, RawIP-Printing, DHCP, HTTP, FTP
2 x USB Master	connection for external USB keyboard and memory stick
<b>TRANSFERBAND</b>	
Coating	outside / inside *
Max. Roll Diameter	98 mm
Core Diameter	25.4 mm / 1"
Max. Length	900 m
<b>CONNECTION VALUES</b>	
Pneumatic Connection	min. 6 bar dry and free from oil
Nominal Voltage	110 V – 230 V / 50 – 60 Hz
Nominal Current	230 V / 1.5 A – 110 V / 3 A
<b>OPERATING CONDITIONS</b>	
Ingress Protection Rating	IP65
Temperature	5 – 40 °C
Max. Relative Humidity	80 % (non condensing)

Technical data subject to change

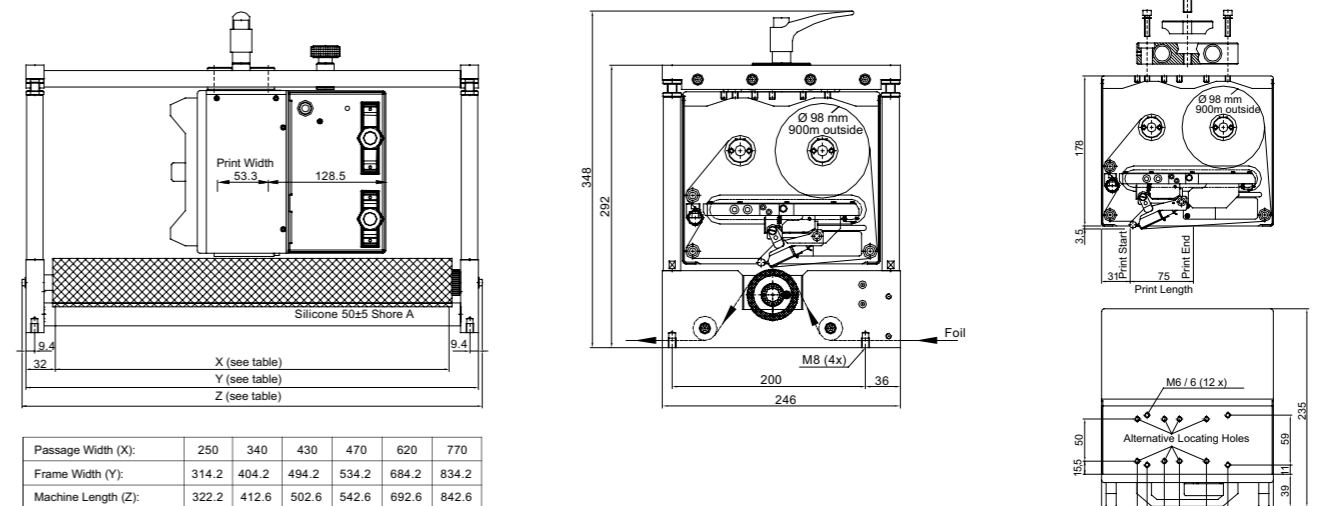
\* optional

# » PRINT MECHANICS VERSIONS

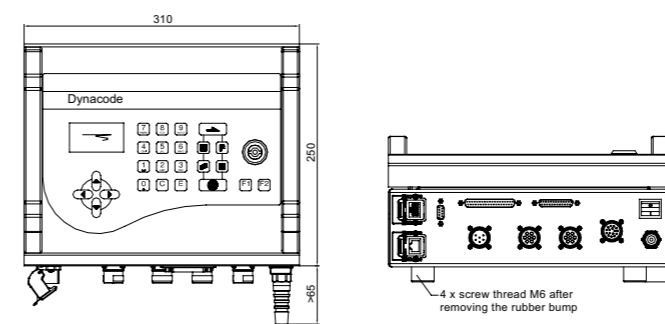
## » Dynacode IP print mechanics right hand version, intermittent mode



## » Dynacode IP print mechanics right hand version, continuous mode



## » Dynacode IP control unit





## » FLEXICODE SERIES

- Multitude of attachment options
- Minimal electronics
- Problem-free network integration
- Freely programmable printing system
- Compact outer dimensions
- Transfer ribbon prior warning
- Quick access to real-time data
- Synchronization with packaging machines
- Optimal user comfort and low maintenance
- Low noise emission
- Easy creation of layouts at PC with Labelstar PLUS
- Data transfer from Labelstar PLUS to the device via serial interface, Ethernet or USB connection

Flexicode is the ideal marking system when variable data is to be printed directly onto foil without first having to print a label. Flexicode is a budget-oriented entry-level system focused on important and basic functions.

Flexicode works with digital thermal transfer technology. This method stands for exceptionally good print quality and maximum reliability. Flexicode's easy maintenance, supported by a multitude of diagnostic functions, is an additional advantage.



### » Easy and user-friendly handling

Flexicode is operated via a graphic display with a 10-key foil keyboard. With its optional Touch Panel the Flexicode also simplifies operation for inexperienced personnel. The menu structure, which is divided in function groups, provides for easy and fast handling when making product changes.

The intuitive menu navigation serves to reduce errors right from data entry. Menu access can be password-protected, which provides for optimum security. Error messages, function names and parameters are displayed in the national language.



### » Minimal operating costs

Flexicode delivers high quality marking on flexible packaging at low operating costs. Due to its great flexibility and the extraordinary length of the transfer ribbon standstill times are reduced to a minimum when making production changes and replacing the transfer ribbon. Flexicode provides for automatic, optimum use of the transfer ribbon. Even with an unprinted area under 1 mm the automatic ribbon save significantly reduces material consumption and thereby lowers costs considerably.



### » First class adaptability

Flexicode provides all of the spatial prerequisites for integration in existing production and packaging systems: It is exceptionally small, lightweight and offers a multitude of attachment options. Regardless of whether Flexicode is required to print on top, bottom or side surfaces, with various installation frames and mounting elements Flexicode adapts to every kind of packaging and requirement. However, not only its efficiency convinces in the day-to-day production but also its flexibility, ease of operation and the short setup times.



### » Unbeatable flexibility

Variable data such as date, time, batch number and bar codes are printed in high print quality directly onto the packaging foil or cardboard. Change of coding takes place either fully automatically or with the push of a button and therefore requires minimum setup times. No complex or incorrect handling of various device types and no lengthy warm-up phases. Easy operation in conjunction with a high degree of reliability ensures maximum production times. A multitude of detailed solutions provide flexibility and economy.

### » Ingenious casing design

The logical, well considered casing design offers a multitude of cable guiding options. Where space is extremely tight cable can be run up, down, behind and even to the side. All connections are arranged easily accessible and a clear wiring is ensured.



# » TECHNICAL DATA

## » FLEXICODE SERIES

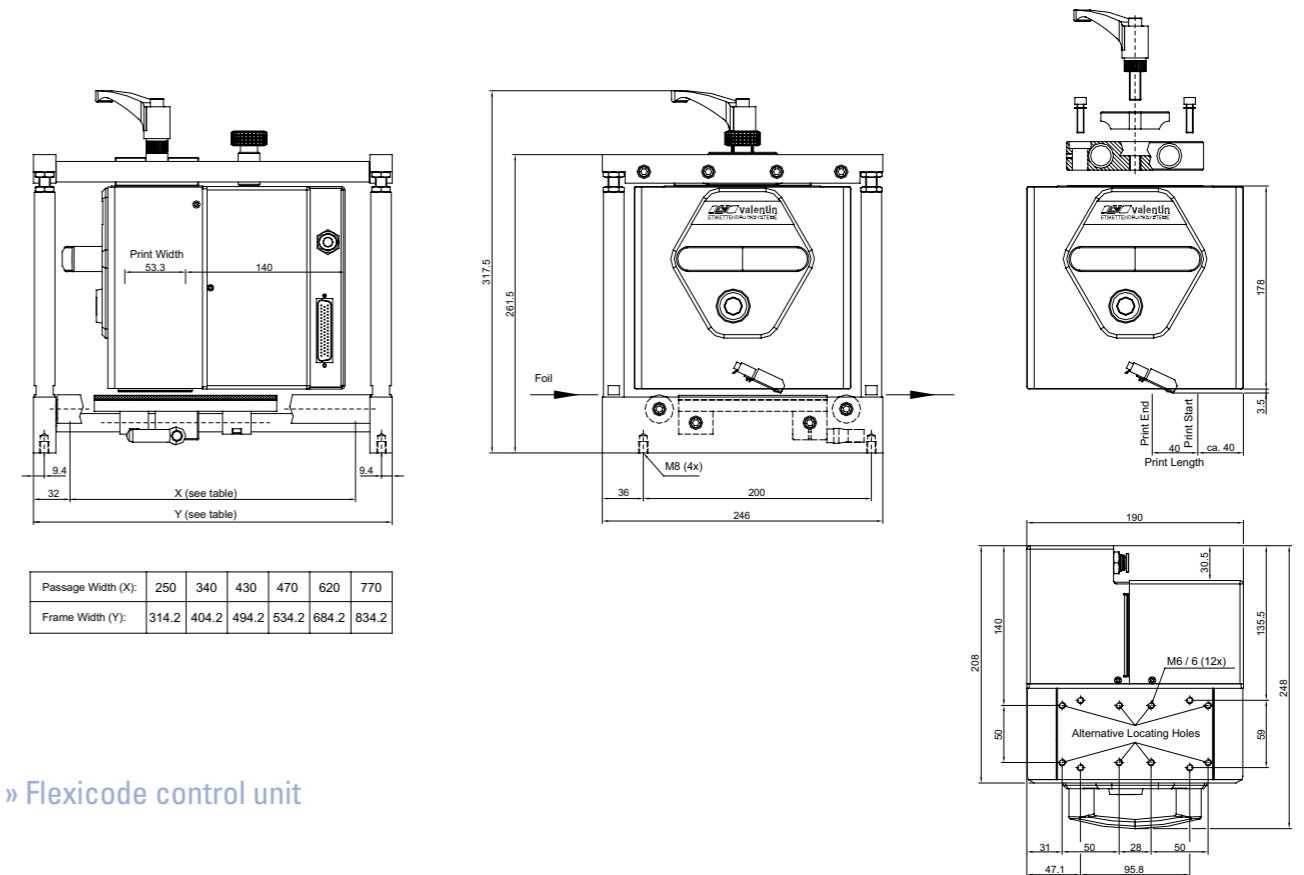
FLEXICODE 53	
<b>PRINT</b>	
Max. Print Width	53 mm
Max. Print Length	40 mm
Frame Passage Width	customized
Resolution	300 dpi
Print Speed	50 – 400 mm/s
Max. Back Speed	600 mm/s
Printhead	Corner Type
<b>DIMENSIONS</b>	
Print Mechanics	
Without Mounting Frame	190 mm x 180 mm x 208 mm
With Mounting Frame	depending on passage width
Control Unit	242 mm x 117 mm x 220 mm
Connecting Cable to Mechanics	2.5 m
<b>WEIGHT</b>	
Print Mechanics	6.0 kg
Electronics with Cable	3.7 kg
<b>FONTS</b>	
Font Types	6 Bitmap fonts, 6 Vector fonts/TrueType fonts, 6 proportional fonts other fonts on demand
<b>BAR CODES</b>	
1D Bar Codes	CODABAR, Code 128A, Code 128B, Code 2/5 interleaved, Code 39, Code 39 extended, Code 93, EAN 13, EAN 8, EAN ADD ON, GS1-128, Identcode (German Post Code), ITF 14, Leitcode (German Post Code), Pharmacoode, PZN Code, UPC-A, UPC-E
2D Bar Codes	CODABLOCK F, DataMatrix, GS1 DataMatrix, MAXICODE, PDF417, QR Code
Composite Bar Codes	GS1 DataBar Expanded, GS1 DataBar Limited, GS1 DataBar, Omnidirectional, GS1 DataBar Stacked, GS1 DataBar Stacked, Omnidirectional, GS1 DataBar Truncated
<b>ELECTRONICS</b>	
Processor	High Speed 32 Bit
RAM	16 MB / 64 MB (on demand)
Slot	for Compact Flash card type I
Max. Storage	16 MB
Battery Cache	for real-time clock (storage of data with shut-down)
Warning Signal	acoustic signal when error
<b>INTERFACES</b>	
Serial	RS-232C (max. 115,200 baud)
Parallel	Centronics (SPP)
USB	2.0 High Speed Slave
Ethernet/LAN	10/100 Base T, LPD, RawIP-Printing, DHCP, HTTP, FTP
2 x USB Master	connection for external USB keyboard and memory stick
<b>TRANSFER RIBBON</b>	
Coating	outside / inside
Max. Roll Diameter	82 mm
Core Diameter	25.4 mm / 1"
Max. Length	600 m
<b>CONNECTION VALUES</b>	
Pneumatic connection	min. 6 bar dry and free from oil
Nominal Voltage	230 V / 50 – 60 Hz
Nominal Current	230 V / 1.5 A – 110 V / 3 A
Fuse Values	230 V / 2 AT – 110 V / 4 AT
<b>OPERATING CONDITIONS</b>	
Temperature	5 – 40 °C
Max. Relative Humidity	80 % (non condensing)

Technical data subject to change

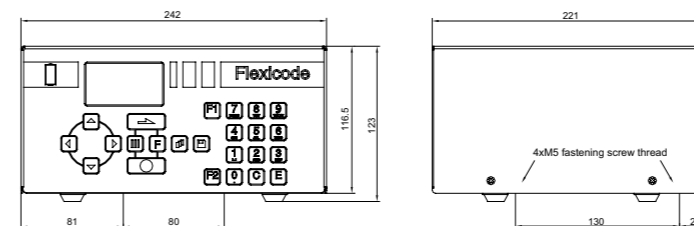
\* optional

# » PRINT MECHANICS VERSIONS

## » Flexicode print mechanics left hand version, intermittent mode



## » Flexicode control unit



Dimensions in mm | Technical data subject to change | Illustrations for right hand versions on demand



## » DPM III xi SERIES

- Cost reduction by transfer ribbon saving
- More than 20 different versions available
- Cable outlet above or on the side
- Left and right hand versions
- Ribbon saving
- Print speed up to 450 mm/s
- Flexible marking such as best before date, bar codes, complex graphics or linked data from external data sources

The intermittent working DPM III xi is a high-resolution direct printing mechanism for installation in cycled packaging machines in all application areas, such as medical technology, pharmaceuticals industry and food industry. Thanks to its compact design, the DPM III xi can be integrated in any position in packaging machines, foil and pillow bag systems, as well as in product marking systems. For the intermittent process printing is executed while the foil is standing still. The DPM III xi has different print widths and lengths which enables a printable surface of 128 x 630 mm.

Without any difficulties applications with large-scale printing content or marking of different small products can be realised with DPM III xi by using the function 'column printing'.



### » High quality product marking

The DPM III xi direct print module enables high-quality marking on flexible packaging with maximum availability and low operating costs. Due to the high flexibility and transfer ribbon length the standstill times for production conversions are reduced to a minimum. The system is ideally suited for printing variable data, such as date, time, lot number, list of ingredients, and logos on flexible foil packaging or boxes.

### » Layouts with variable data

The Labelstar PLUS design software enables to produce multi-layer layouts in relative short time. Integrating popular 1D, 2D and composite bar codes extending to database connections and complex variables such as SAP connection and OLE functions can be easily implemented with Labelstar PLUS.



#### » Unsurpassed variety

With three different print widths of 53 mm, 107 mm and 128 mm and seven different print lengths up to max. 630 mm the DPM III xi series is one of the most variable solution for direct printing.



#### » Optional accessories

For extraordinary requirements more than 20 different versions of counter-pressure plates, in all available print widths and print lengths, adapted to each direct print module of the DPM III xi series are available. Owing to the optional cable outlet above the DPM III xi can be integrated into almost all packaging machines. The DPM III xi can be operated by input at the control unit, with an external keyboard or via PC.



#### » Interfaces

The DPM III xi series is equipped with standard serial, parallel and USB connection. For network connection an internal LAN interface is available. Time-saving firmware update is possible by using the available interfaces.



#### » Left and right hand versions

The offered right and left hand version permit almost unlimited horizontal or vertical installation possibilities. The DPM III xi can print on top face, bottom side or on a lateral surface. By different mounting plate parts the DPM III xi can be adapted at all tasks and installation situations.

# » TECHNICAL DATA

## » DPM III xi SERIES

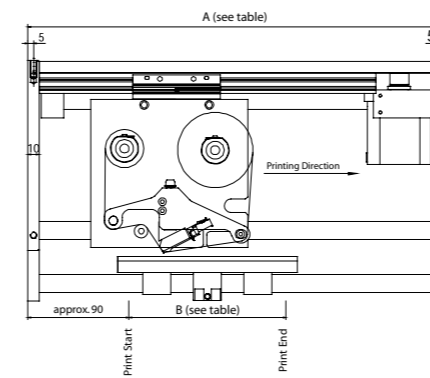
	DPM III xi53	DPM III xi107	DPM III xi128
<b>PRINT</b>			
Max. Print Width	53.3 mm	106.6 mm	128 mm
Print Lengths	60 mm, 140 mm, 240 mm, 340 mm, 447 mm, 570 mm, 630 mm	60 mm, 140 mm, 240 mm, 340 mm, 447 mm, 570 mm, 630 mm	60 mm, 140 mm, 240 mm, 340 mm, 447 mm, 570 mm, 630 mm
Resolution	300 dpi	300 dpi	300 dpi
Print Speed	50 – 450 mm/s*	50 – 450 mm/s*	50 – 400 mm/s*
Max. Back Speed	50 – 500 mm/s*	50 – 500 mm/s*	50 – 400 mm/s*
Printhead	Corner Type	Corner Type	Corner Type
<b>DIMENSIONS</b>			
Print Mechanics	Print Length + 230 mm x 170 mm x 260 mm	Print Length + 230 mm x 170 mm x 315 mm	Print Length + 230 mm x 170 mm x 335 mm
Control Unit	285 mm x 130 mm x 350 mm	285 mm x 130 mm x 350 mm	285 mm x 130 mm x 350 mm
Connecting Cable to Mechanics	2.5 m	2.5 m	2.5 m
<b>WEIGHT</b>			
Print Mechanics	7.5 kg – 23 kg (depending on print length and print width)	7.5 kg – 23 kg (depending on print length and print width)	7.5 kg – 23 kg (depending on print length and print width)
Electronics with Cable	10.5 kg	10.5 kg	10.5 kg
<b>FONTS</b>			
Font Types	6 Bitmap fonts, 6 Vector fonts/TrueType fonts, 6 proportional fonts other fonts on demand	6 Bitmap fonts, 6 Vector fonts/TrueType fonts, 6 proportional fonts other fonts on demand	6 Bitmap fonts, 6 Vector fonts/TrueType fonts, 6 proportional fonts other fonts on demand
<b>BAR CODES</b>			
1D Bar Codes	CODABAR, Code 128A, Code 128B, Code 2/5 interleaved, Code 39, Code 39 extended, Code 93, EAN 13, EAN 8, EAN ADD ON, GS1-128, Identcode (German Post Code), ITF 14, Leitcode (German Post Code), Pharmacode, PZN Code, UPC-A, UPC-E	CODABAR, Code 128A, Code 128B, Code 2/5 interleaved, Code 39, Code 39 extended, Code 93, EAN 13, EAN 8, EAN ADD ON, GS1-128, Identcode (German Post Code), ITF 14, Leitcode (German Post Code), Pharmacode, PZN Code, UPC-A, UPC-E	CODABAR, Code 128A, Code 128B, Code 2/5 interleaved, Code 39, Code 39 extended, Code 93, EAN 13, EAN 8, EAN ADD ON, GS1-128, Identcode (German Post Code), ITF 14, Leitcode (German Post Code), Pharmacode, PZN Code, UPC-A, UPC-E
2D Bar Codes	CODABLOCK F, DataMatrix, GS1 DataMatrix, MAXICODE, PDF417, QR Code	CODABLOCK F, DataMatrix, GS1 DataMatrix, MAXICODE, PDF417, QR Code	CODABLOCK F, DataMatrix, GS1 DataMatrix, MAXICODE, PDF417, QR Code
Composite Bar Codes	GS1 DataBar Expanded, GS1 DataBar Limited, GS1 DataBar Omnidirectional, GS1 DataBar Stacked, GS1 DataBar Stacked Omnidirectional, GS1 DataBar Truncated	GS1 DataBar Expanded, GS1 DataBar Limited, GS1 DataBar Omnidirectional, GS1 DataBar Stacked, GS1 DataBar Stacked Omnidirectional, GS1 DataBar Truncated	GS1 DataBar Expanded, GS1 DataBar Limited, GS1 DataBar Omnidirectional, GS1 DataBar Stacked, GS1 DataBar Stacked Omnidirectional, GS1 DataBar Truncated
<b>ELECTRONICS</b>			
Processor	High Speed 16 Bit	High Speed 16 Bit	High Speed 16 Bit
RAM	16 MB / 64 MB (on demand)	16 MB / 64 MB (on demand)	16 MB / 64 MB (on demand)
Slot	for Compact Flash card type I	for Compact Flash card type I	for Compact Flash card type I
Battery Cache	for real-time clock (storage of data with shut-down)	for real-time clock (storage of data with shut-down)	for real-time clock (storage of data with shut-down)
<b>INTERFACES</b>			
Serial	RS-232C (max. 19,200 baud)	RS-232C (max. 19,200 baud)	RS-232C (max. 19,200 baud)
Parallel	Centronics	Centronics	Centronics
USB	1.0	1.0	1.0
Ethernet/LAN	10/100 Base-T (optional)	10/100 Base-T (optional)	10/100 Base-T (optional)
<b>TRANSFER RIBBON</b>			
Coating	outside / inside	outside / inside	outside / inside
Max. Roll Diameter	85 mm	85 mm	85 mm
Core Diameter	25.4 mm / 1"	25.4 mm / 1"	25.4 mm / 1"
Max. Length	600 m (Ø 85 mm)	600 m (Ø 85 mm)	600 m (Ø 85 mm)
<b>CONNECTION VALUES</b>			
Pneumatic Connection	min. 6 bar dry and free from oil	min. 6 bar dry and free from oil	min. 6 bar dry and free from oil
Nominal Voltage	Standard 230 V / 50 – 60 Hz Option 115 V / 50 – 60 Hz	230 V / 50 – 60 Hz 115 V / 50 – 60 Hz	230 V / 50 – 60 Hz 115 V / 50 – 60 Hz
Nominal Current	230 V / 1.5 A – 110 V / 3 A	230 V / 1.5 A – 110 V / 3 A	230 V / 1.5 A – 110 V / 3 A
Fuse Values	230 V / 2 AT – 110 V / 4 AT	230 V / 2 AT – 110 V / 4 AT	230 V / 2 AT – 110 V / 4 AT
<b>OPERATING CONDITIONS</b>			
Temperature	5 – 40 °C	5 – 40 °C	5 – 40 °C
Max. Relative Humidity	80 % (non condensing)	80 % (non condensing)	80 % (non condensing)

\* depending on installation position

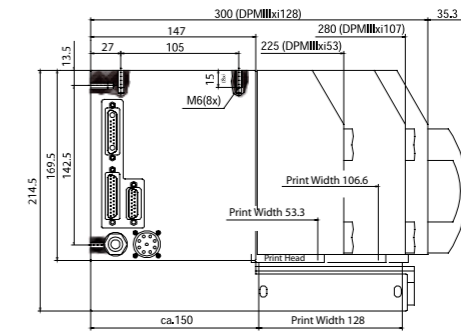
Technical data subject to change

# » PRINT MECHANICS VERSIONS

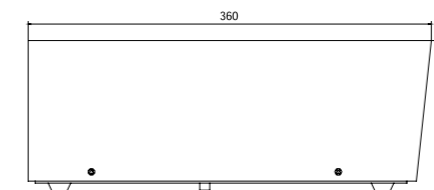
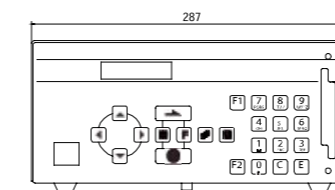
## » DPM III xi print mechanics right hand version



B Print Length:	60	140	240	340	447	570	630
A Machine Length:	290	370	470	570	678.5	800	860



## » DPM III xi control unit

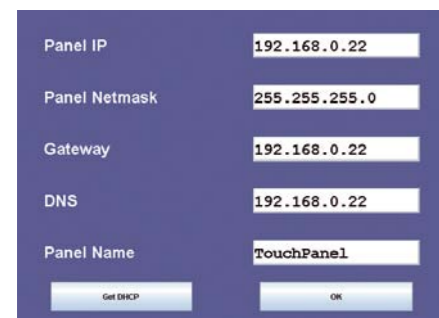


## » TOUCH PANEL

The direct print modules are easy to operate via a user-oriented colour panel PC. From operation and observation near the machine to navigation and regulation – with the Touch Panel we offer a possibility that is ideally suited for production processes in harsh industrial environments. When using the Touch Panel you always profit from convenient operation via touch screen or foil keyboard.

This is not only practical and time-saving it also prevents input errors. The integrated diagnostics system supports operability and informs the user of a pending transfer ribbon change or the remaining duration of the current print job.

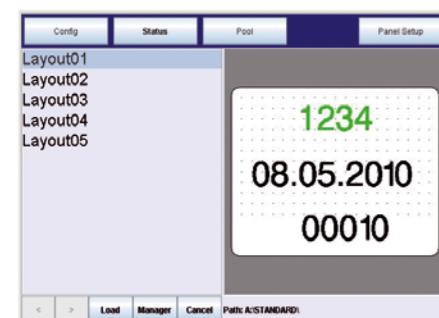
With help from the Touch Panel it is possible to configure and monitor one or several (max. 4) printing devices and/or printing systems. This is valid for the setting of parameters as well as for monitoring current print orders. All parameters which can be set at the printers function menu can be configured and changed at the Touch Panel, too. The connection to the control system is made by an Ethernet interface.



Network setup



Information about machine status



Layout preview



Entry of variable texts

## » TRANSFER RIBBONS

Whether desktop printers or direct printing systems, whether flat type or corner edge printheads – our assortment of thermal transfer ribbon supplies the requisite quality for each device type. Our thermal transfer ribbons are available in different widths from 35 mm to 220 mm and offer many design possibilities through an extensive selection of colours.

### » Standard (wax)

These transfer ribbons were developed especially for printing bar codes, texts and graphics with exact contours. They are versatile usable, from paper to foil. They have an acceptable rubbing resistance.

- Valentin 1700 Standard / Corner Edge

### » Premium (wax/resin)

These transfer ribbons were developed especially for printing bar codes, texts and graphics with high resolution. Even with high print speeds ribbons of wax/resin mixture offer very good print quality no matter using paper or foil. They have an excellent rubbing and scratching resistance.

- Valentin 1706 Premium / Corner Edge
- Valentin 1708 Premium / Corner Edge

### » Special (resin)

These resin ribbons were developed especially for printing type plates with excellent rubbing and scratching resistance. They are used only on plastic labels such as polyester or polyethylene. These ribbons are partially heat resistant up to approx. 250 °C (482 °F).

- Valentin 1707 Special / Corner Edge







## » LABELSTAR PLUS

### DESIGN SOFTWARE

With us you are fit for the requirements of tomorrow. For almost 20 years Carl Valentin GmbH develops and sells professional software for graphic layout creation. These experiences form the firm components of our worldwide successful design software Labelstar PLUS. Therefore you can also profit from this unique advantage to get printing systems and design software from one hand – made by Valentin.



#### » Efficiency and functionality

Labelstar PLUS is the optimal extension to your Valentin printing system. By the precise WYSIWYG display you can comfortably create your layouts on the screen. The look & feel surface guarantees a short training period. Due to its modular construction Labelstar PLUS can be individually adapted to your needs. Already the base version provides all possibilities for designing layouts. Labelstar PLUS supports Windows TrueType fonts as well as printer build-in fonts. Import possibilities for all common raster and vector graphic formats are available.

#### » Languages

Chinese, Czech, Danish, Dutch, English, Finnish, French, German, Italian, Polish, Portuguese, Russian, Spanish, Turkish

#### » Supported operating systems

Windows 7  
Windows Vista  
Windows XP  
Windows 2000  
Windows 2003 Server  
Windows 2008 Server



## » NETSTAR PLUS

### PRINTING PROCESS AND CONTROL SYSTEM

» Netstar PLUS is the innovative link between production control and printing process.

The flexible structure of Netstar PLUS enables to adapt the system particularly to the needs of customers. Netstar PLUS contains both the print control system as well as print process control. As print control system Netstar PLUS communicates directly with superordinated production control systems or receives control data from external system components. Manual entries are possible, too. The received control data is prepared from the print control system and if necessary supplemented with further data and then passed on to the print process control.

The print process control loads the required layouts of the printers and if necessary supplements the data that was handed over from the printing control system. Apart from printing systems further system components can be activated or control files created. Thereby also other vendors' systems or external test systems can be merged into the printing process. Due to the possibility of printer supervision and the associated direct input of data at the printer, a PC at the input place is not necessary. This reduces acquisition and maintenance costs and solves problems arising under difficult environmental conditions.

## » CONFIG TOOL

### CONFIGURATION SOFTWARE

With the ConfigTool our printing systems and Touch Panels can be configured and updated. Alternatively the configuration of devices can be made by parallel, serial, USB or network interface. The ConfigTool facilitates selecting, changing and transferring all common parameters and options. Devices without LCD display can be configured comfortably and without difficulties in the appropriate dialog windows. The configuration of one and/or several devices can be saved in the printer configuration file.

Carl Valentin GmbH  
Neckarstraße 78-82 + 94  
D-78056 Villingen-Schwenningen

Phone: +49 7720 9712-0  
Fax: +49 7720 9712-9901

E-Mail: [info@valentin-carl.de](mailto:info@valentin-carl.de)  
Internet: [www.valentin-carl.de](http://www.valentin-carl.de)

» Further products of our product range

Label printers, print modules and labels



Label Printers  
e.g. Vita II Series



Print Modules  
e.g. SPX Series



Label Fabrication

